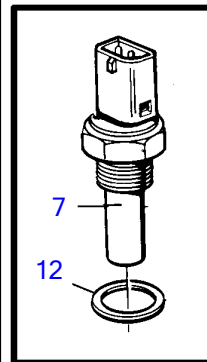
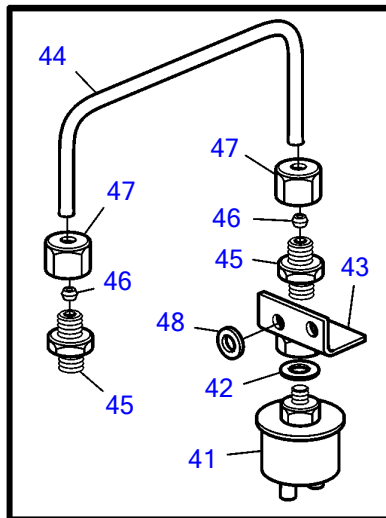
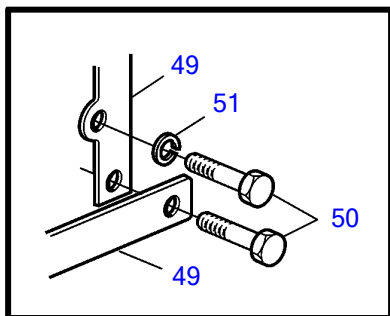
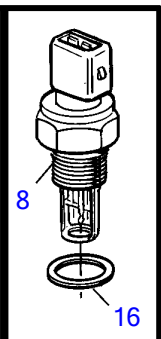
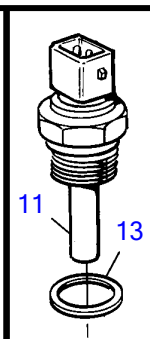
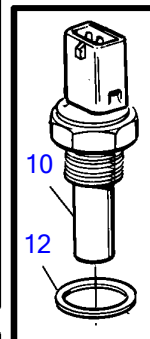
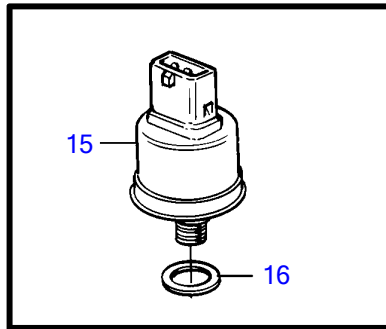
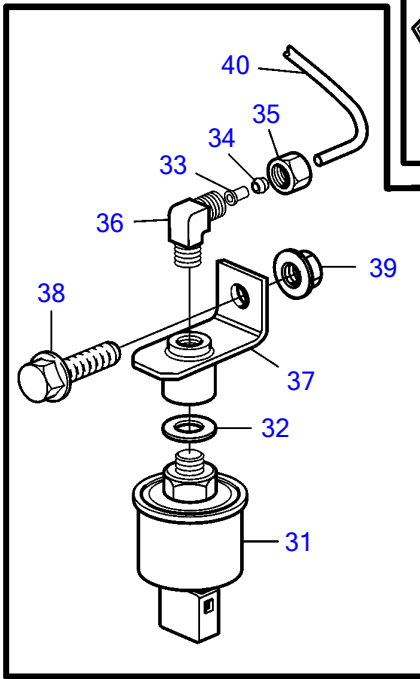
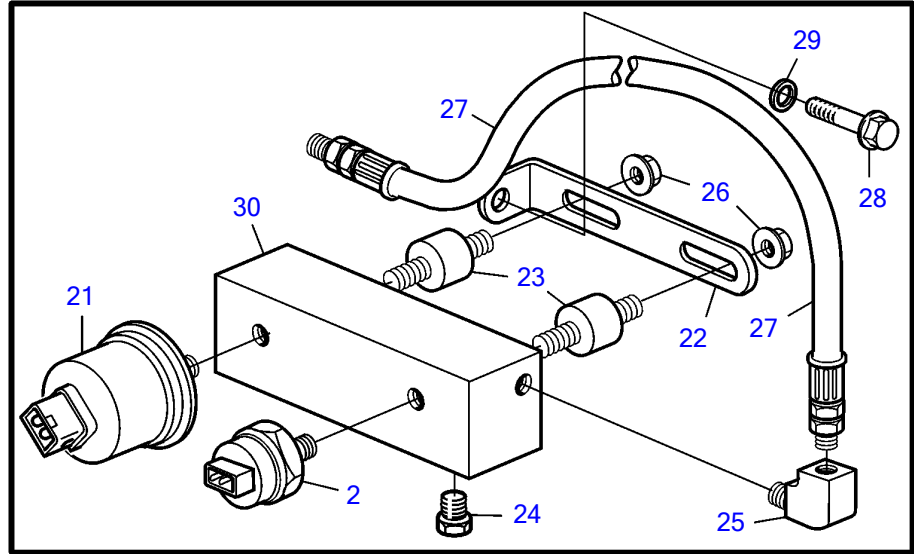
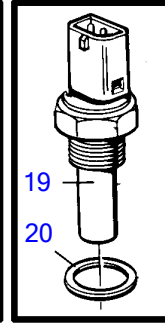
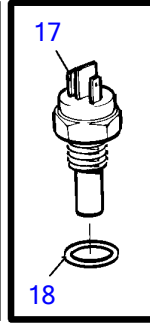
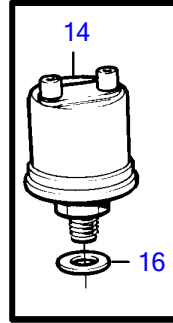
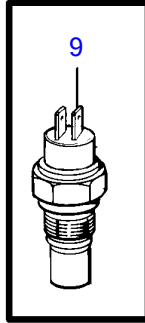
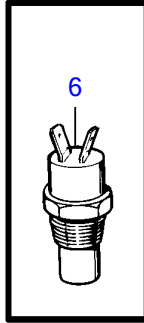
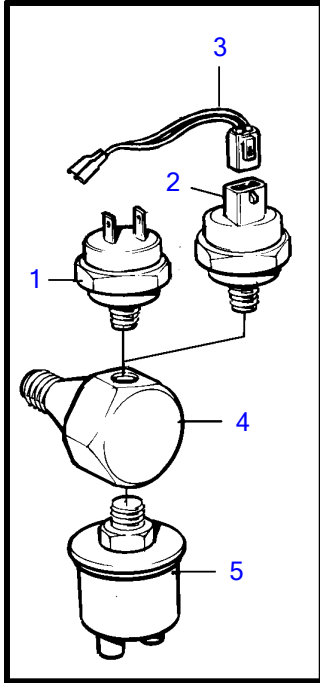


TAMD122A



19604

## TAMD122A

REF	PART NO.	QTY	DESCRIPTION	NOTES
1	864284	1	Pressure monitor, oil pressure-engine	SN-1101051156/XXXXXX
2	863169	1	Pressure monitor, oil pressure-engine	SN1101051157/XXXXXX-
3	873601	1	Cable	SN1101051157/XXXXXX-
4	942490	1	T-nipple, cylinder block	
5	866833	1	Pressure sensor, oil-engine	(843231) 0-10 bar
	866834	1	Pressure sensor, oil-engine	For double instruments., 0-10 bar
6	822858	1	Thermo monitor, coolant water temp.	97°C
7	862250	1	Thermo monitor, coolant water temp.	97°C
9	827150	1	Sensor, coolant water temp.	
	837044	1	Temperature sensor, coolant water temp.	For double instruments.
11	862154	1	Temperature sensor, instrument	
12	11998	1	Gasket	
13	947622	1	Gasket	
14	866840	1	Pressure sensor, reverse gear	For double instruments., (837781) 0-30 bar
16	947624	1	Gasket	
17	354671	1	Tachometer sensor	
18	949656	1	O-ring	
41	866838	1	Pressure sensor, turbo	To be mounted on the charge air cooler.
42	947624	1	Gasket	
50	950158	2	Cross recessed sunk	L=19mm
	955588	1	Hexagon screw	L=25mm
	940114	1	Hexagon screw	L=0.875" (22mm)
	955523	1	Hexagon screw	L=16mm
51	941912	1	Spring washer	I.D.=17mm
	942336	1	Spring washer	I.D.=10mm
	941907	1	Spring washer	I.D.=8.4mm